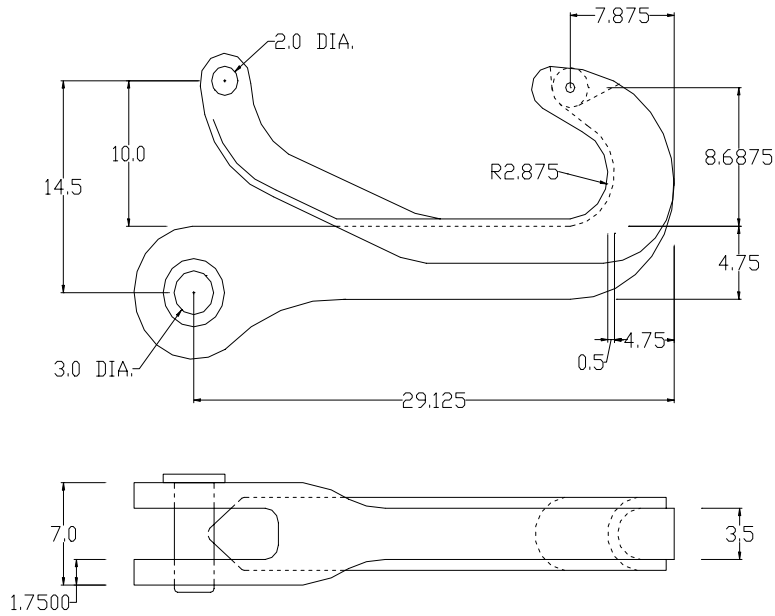




MARINE FENDERS INTERNATIONAL, INC.



QUICK RELEASE HOOKS



MODEL NUMBER	PROOF TEST		TOTAL WEIGHT	
	LBS	TONS	LBS	TONS
QRH 300	300,000	136	375	17
QRH 400	400,000	181	375	17

Optional keeper plates are offered to secure Hawser in the hook.
All dimensions are in inches.