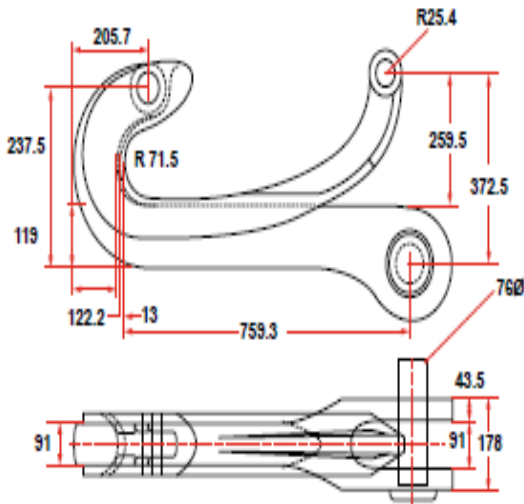




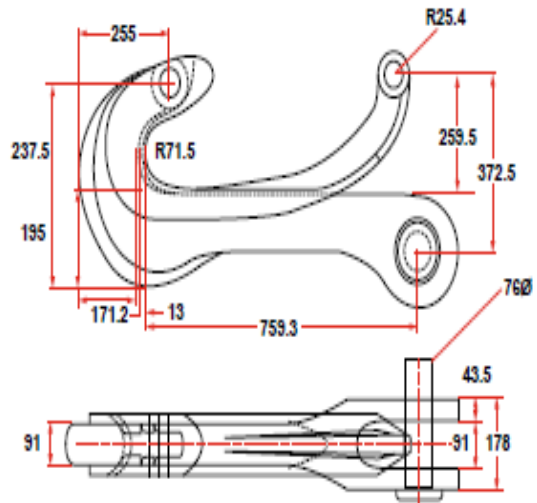
MARINE FENDERS INTERNATIONAL, INC.



QUICK RELEASE HOOKS



300,000 LBS PROOF LOAD
WEIGHT: 357 LBS



400,000 LBS PROOF LOAD
WEIGHT: 410 LBS

QUICK RELEASE HOOKS

| Model | Proof Test | | TOTAL WEIGHT | |
|---------|------------|------|--------------|-------|
| | Pounds | Tons | Pounds | Kilos |
| QRH 300 | 300,000 | 136 | 357 | 162 |
| QRH 400 | 400,000 | 181 | 410 | 186 |

Marine Fenders International, Inc.

• 909 Mahar Avenue • Wilmington • California • 90744 • USA

Telephone 1-310-834-7037 • Fax 1-310-834-7825 • E-mail: sales@marinefendersintl.com • www.marinefendersintl.com